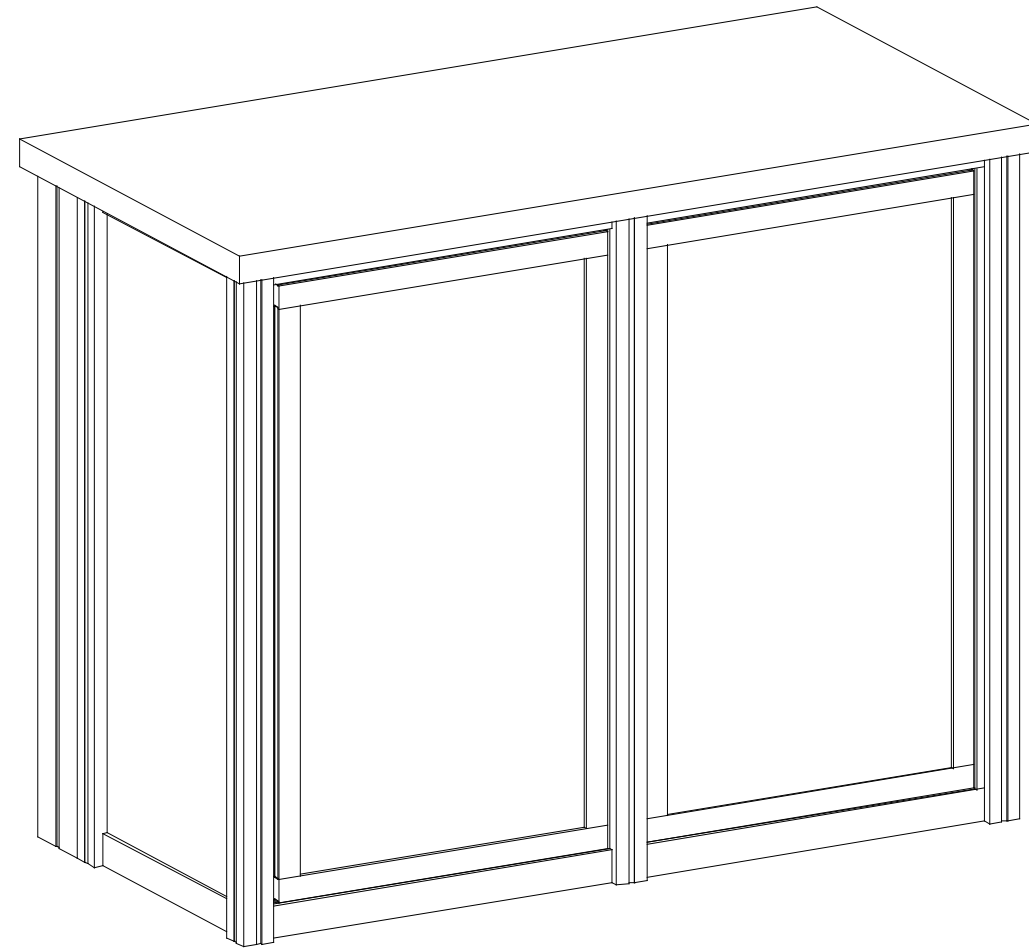


Front View



Back View

General Setup Instructions

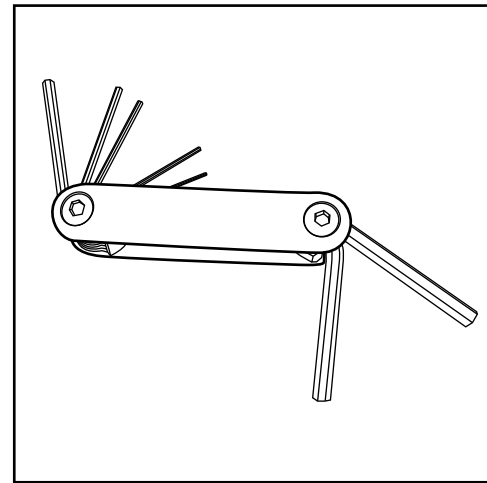
- Read entire setup instruction manual prior to unpacking parts and pieces.
- The setup instructions are created specifically for this configuration.
- Setup instructions are laid out sequentially in steps, including exploded views with detailed explanation for assembly.

Cleaning & Packing

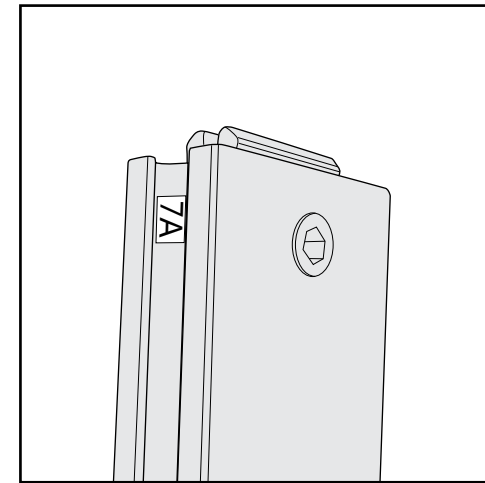
- For Cleaning Metal, Plex, & Laminate Parts: Use a **MILD NON-ABRASIVE** cleanser and soft cloth/paper towel to clean all surfaces.
- Keep exhibit components away from heat and prolonged sun exposure.
Heat and UV exposure will warp and fade components.
- Retain all provided Packing Materials. All provided packing materials are for ease of repacking & component protection.

Disassembly

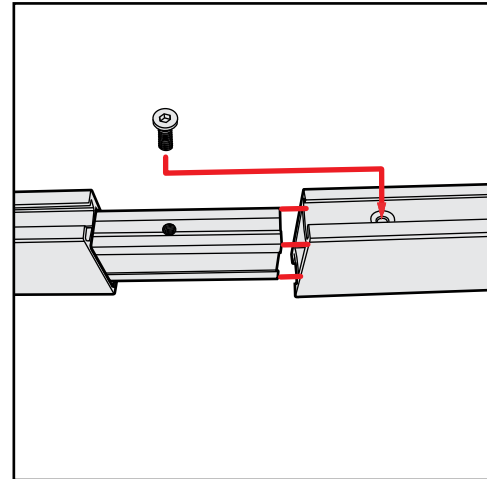
- For loss prevention, tighten all set screws and locks during disassembly.



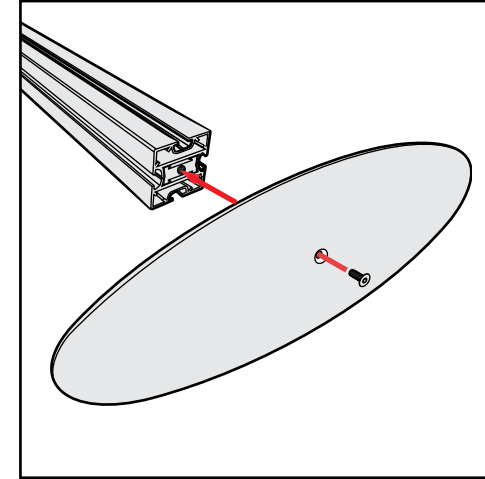
Hex Tool - Essential for Assembly



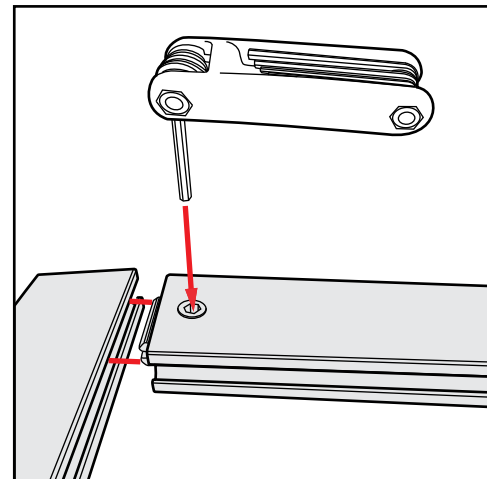
Part Identification - Numbering



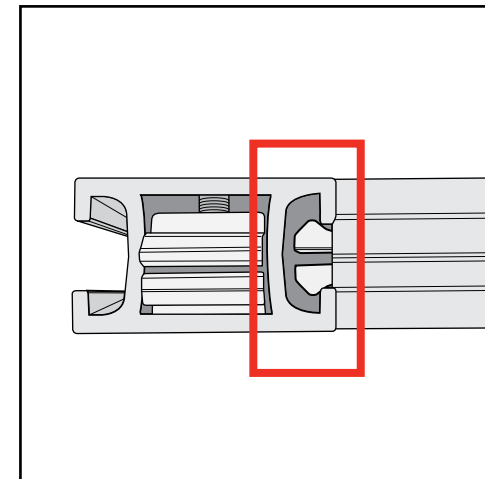
Spline Connection



Base Plate & Extrusion Connection



Extrusion & Lock Connection



Engaged Lock



WARNING



DO NOT USE POWER TOOLS



LADDERS OR LIFTS
MAY BE REQUIRED



ALL CONNECTIONS MUST
BE TIGHTLY SECURED

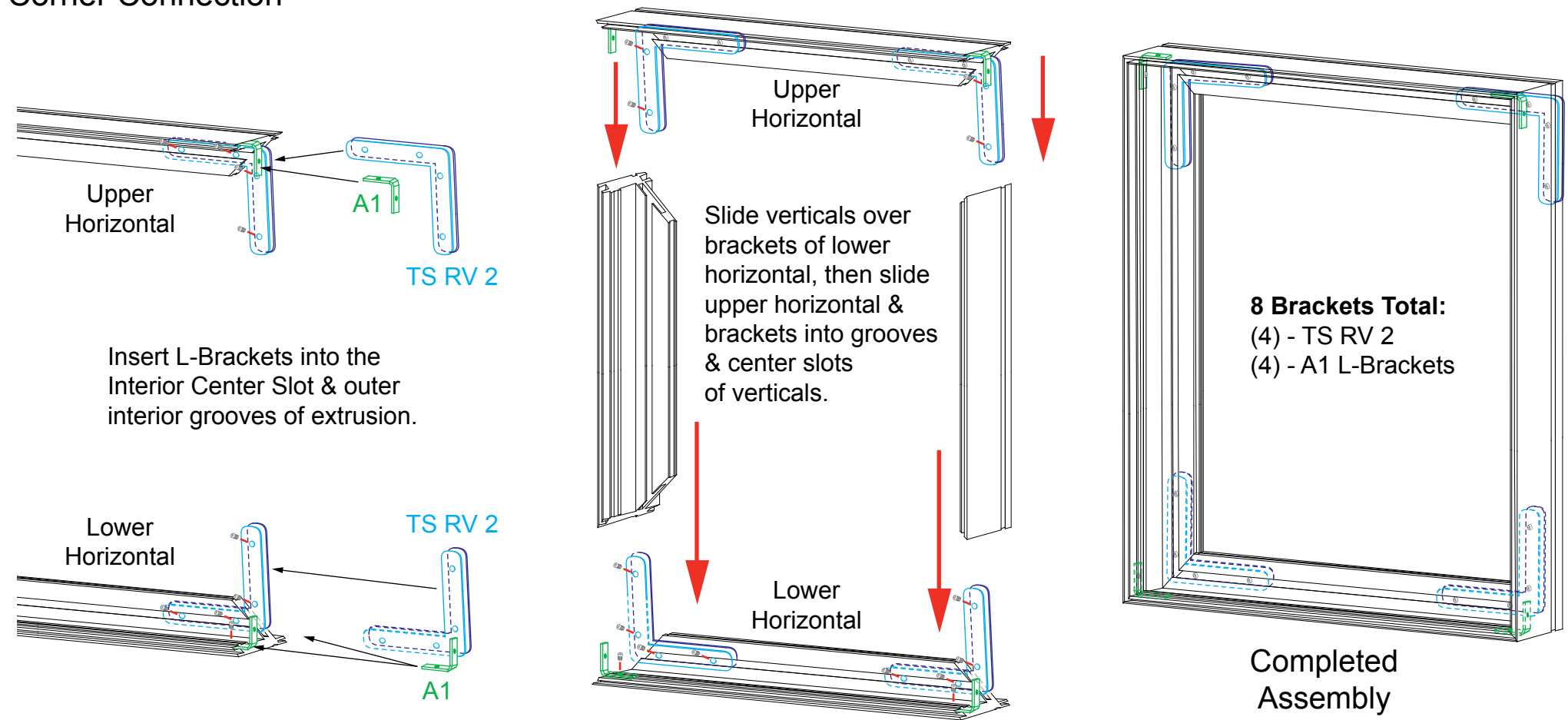
Corner Bracket Assembly

- 1) Slide TWO-PIECE **TS RV 2** L-bracket into Interior Center Slot of extrusion so that two set screws are inside groove. Tighten two set screws to secure.
- 2) Slide one **A1** L-Bracket into outer interior grooves of upper and lower horizontals. Tighten set screws to secure.
- 3) Slide vertical extrusion over exposed ends of brackets in lower horizontal. Tighten set screws to secure.
- 4) Slide exposed ends of installed brackets of upper horizontal into open ends of verticals. Tighten set screws to secure.

Disassembly

- 1) Loosen set screws on brackets and slide extrusions off of brackets.

Corner Connection

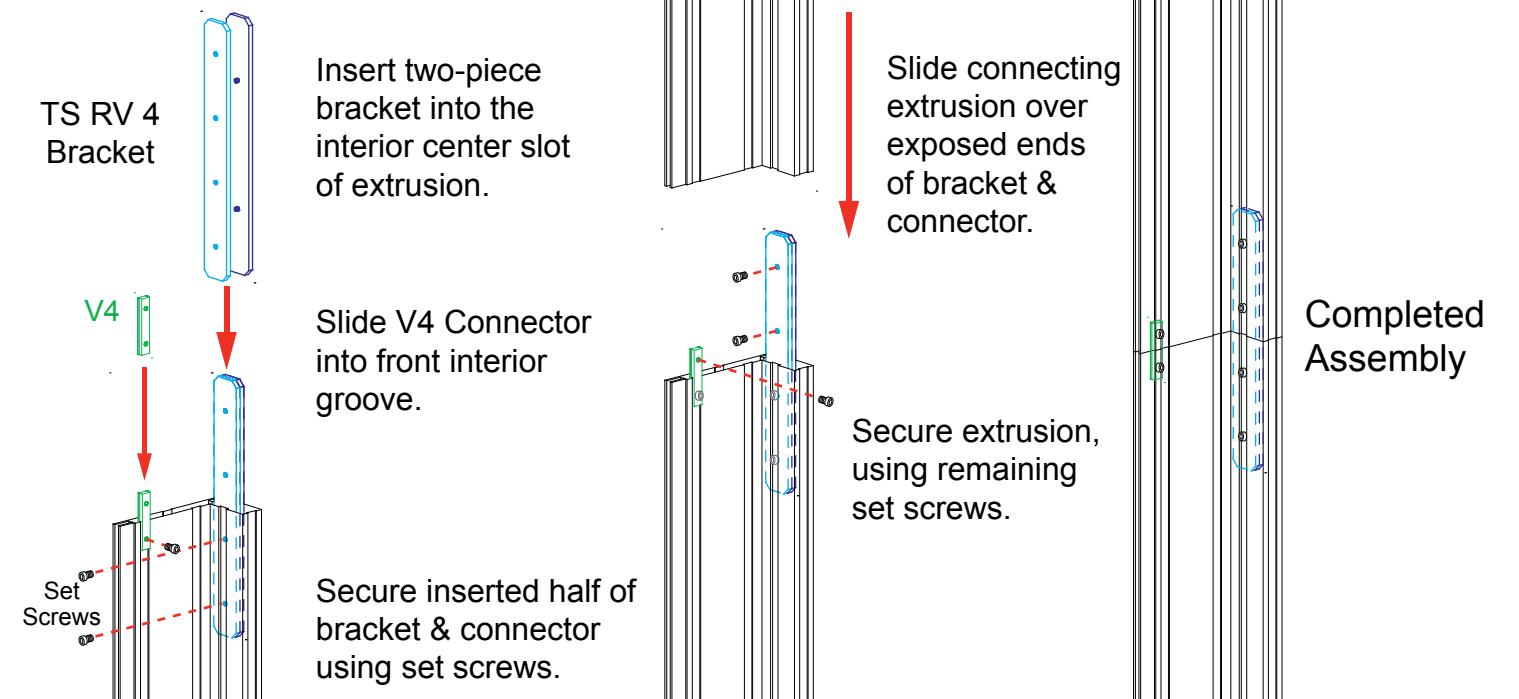


Straight Bracket Assembly

- 1) Slide TWO-PIECE **TS RV 4** straight bracket into Interior Center Slot of extrusion, so that two of the set screws are inside groove. Tighten two set screws to secure.
- 2) Slide one **V4 Connector** into outer interior groove of extrusion, so that one set screw is inside groove. Tighten set screw.
- 3) Slide connecting extrusion over exposed ends of bracket & connector. Tighten all remaining set screws to secure extrusions.



Straight Connection

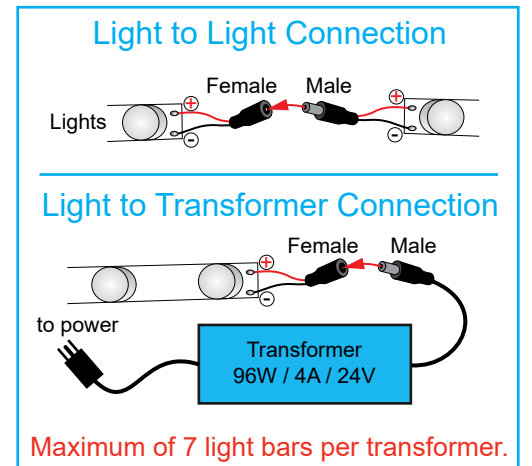
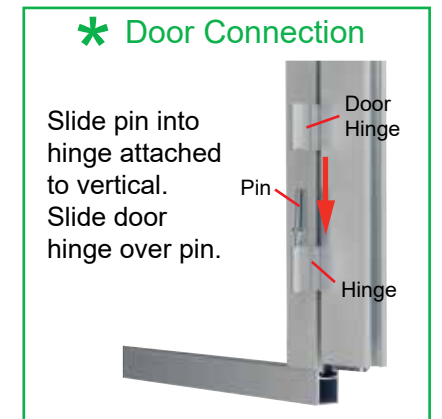
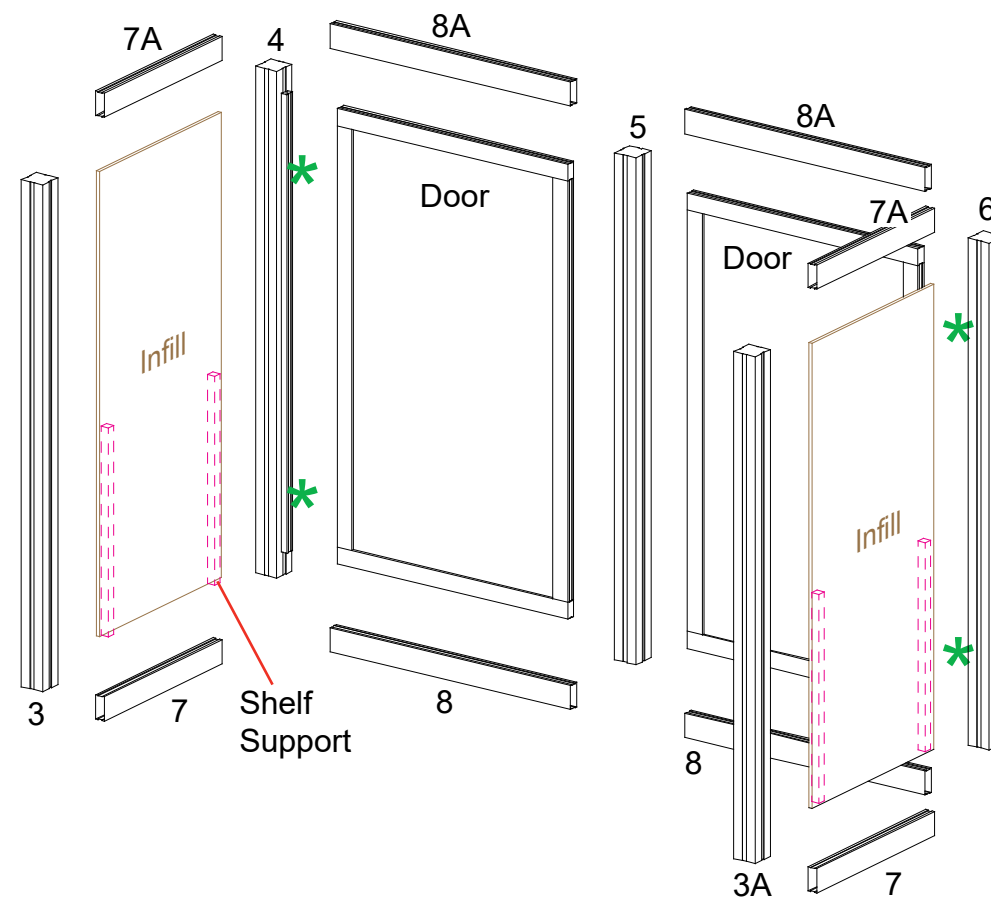
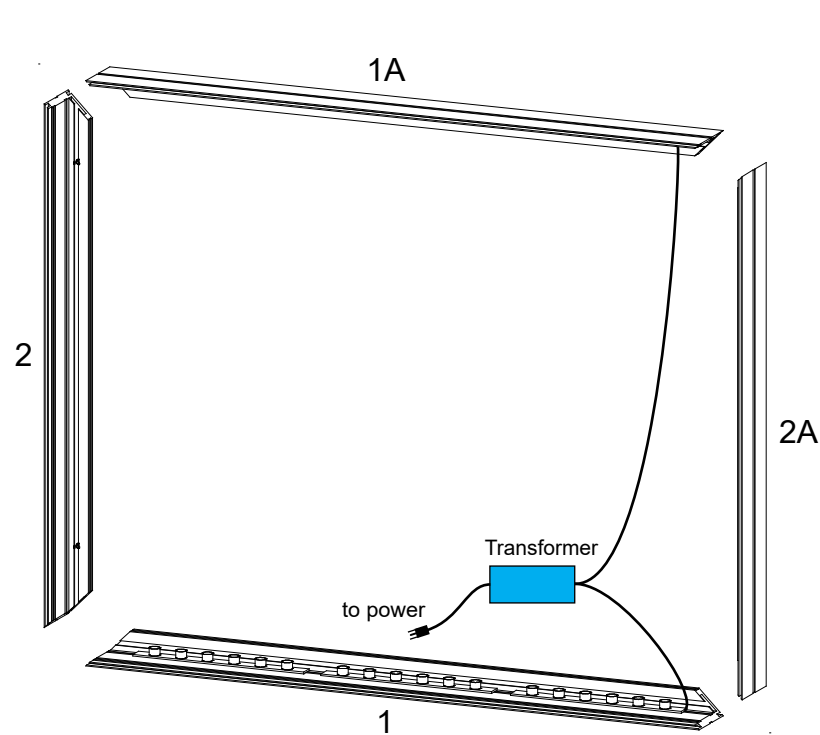


Item	Qty.	Description
1,1A	1,1	46.25" CEI110 Horizontal Extrusion
2,2A	1,1	37.5" CEI110 Vertical Extrusion
3,3A	1,1	37.5" S44 Vertical Extrusion
4	1	37.5" S44 Vertical Extrusion w/ Door Hinges
5	1	37.5" S44 Vertical Extrusion w/ Door Stops
6	1	37.5" S44 Vertical Extrusion w/ Door Hinges
7,7A	2,2	14.153" Z45 Horizontal Extrusion
8,8A	2,2	20.408" Z45 Horizontal Extrusion

Steps:

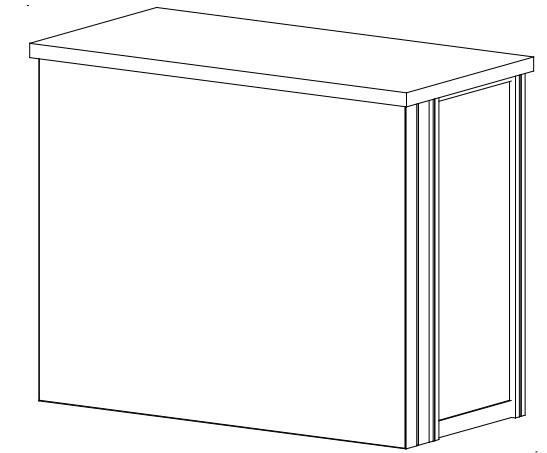
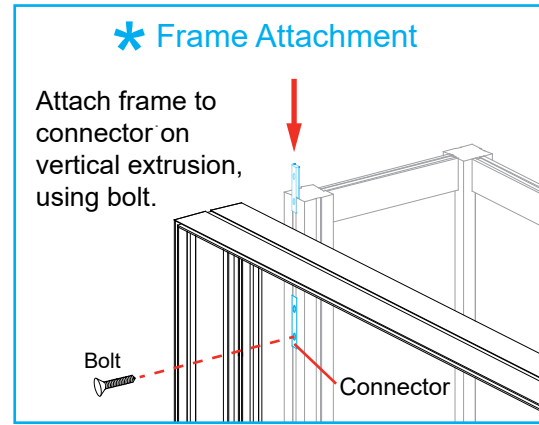
- 1) Assemble CEI110 extrusions [1] [1A] [2] and [2A].
See CEI-110 Frame Assembly sheet for instruction.
- 2) Connect lights and transformer. See [Light Connection](#) details.
- 3) Attach horizontals [7] and [8] between verticals [3] [4] [5] [6] and [3A].
- 4) Slide infills between verticals [3] [4] and [3A] [6], making sure Velcro is facing inward.
- 5) Connect doors to verticals [4] and [6]. See [Door Connection](#) detail.
- 6) Attach horizontals [7A] and [8A] between verticals [3] [4] [5] [6] and [3A].
- 7) Connect shelf supports to Velcro on infills.

Keep counter sides assembled, when packing.

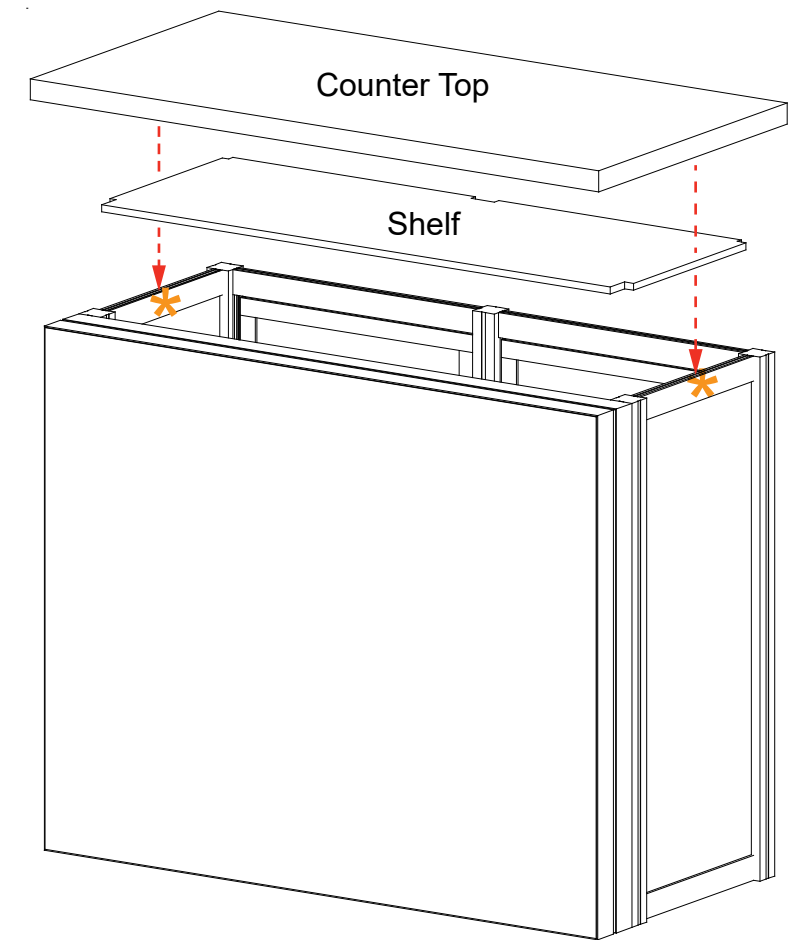
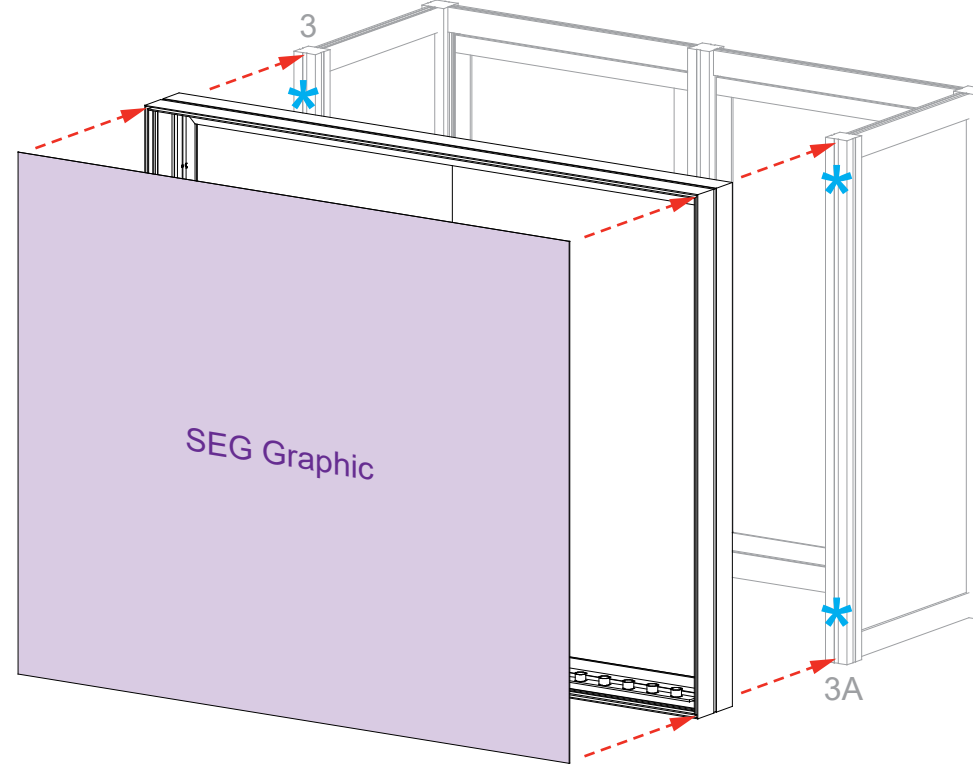
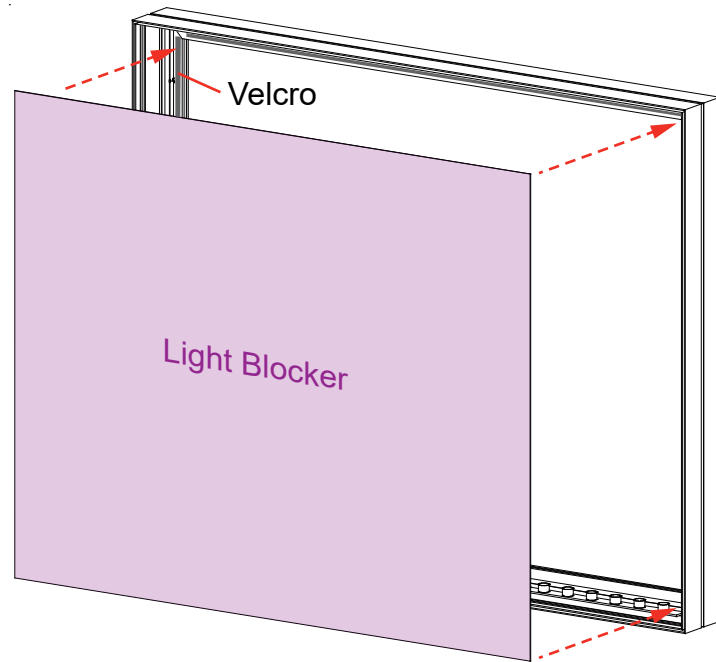


Steps:

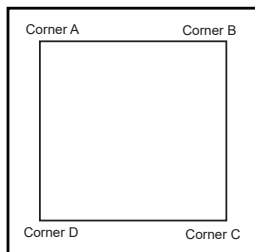
- 1) Connect light blocker to Velcro on interior of assembled frame.
- 2) Attach assembled frame to verticals [3] and [3A].
See [Frame Attachment](#) detail.
- 3) Install SEG graphic to front of assembled frame.
See [SEG Graphic Installation](#) detail.
- 4) Place shelf inside assembled base on top of pins and supports.
- 5) Place counter top on assembled base, then secure with pins.
See [Counter Top Attachment](#) detail.



Completed Assembly



SEG Graphic Installation



It is important to first insert graphic into each alternate corner then to the sides of the frame. If this is not done, graphic will not fit into the frame correctly.



Step 1
Insert corner A. Turn edge of graphic so silicon welt is perpendicular to face of graphic. Insert narrow side of welt with fabric to outside into the channel. Repeat for other side of this corner.



Step 2
Repeat Step 1 for opposite corner C, then insert corner D, to complete the installation of the corners.



Step 3
Once all corners are inserted, press one silicon edge into channel from corners and work toward the center. Make sure welt is fully inserted into channel. Continue until all sides are done. Smooth out edges of graphic.



Graphic Removal
To remove the graphic from the frame, locate the fabric pull tab. Gently pull up on the tab to remove the fabric.

